

## Ficha Técnica

AM048KN4DCH/AA

## CASSETTE 360 Circular

SAMSUNG  
Latinoamerica

Nombre del Proyecto	
Desarrollador	
Trasladado a	
Nombre de Sistema	

Ubicación	
Ingeniero	
Referencia	Aprobación Construcción
Fecha	

## Especificaciones

Modelo		AM048KN4DCH/AA
Características	Tipo	CASSETTE 360 Circular
Suministro eléctrico (Unidad Interior) [Φ, #, V, Hz]		1,2,208-230,60
Capacidad	Enfriamiento [kW]	14.07
	Enfriamiento [Btu/h]	48,000
	Calefacción [kW]	15.83
	Calefacción [Btu/h]	54,000
Corriente de Entrada (Nominal)	Enfriamiento 1 [A]	0.75
	Calefacción 2 [A]	0.75
Sistema	Modo	HP/HR
Potencia de Entrada (Nominal)	Enfriamiento 1 [W]	91.00
	Calefacción 2 [W]	91.00
Ventilación	Tipo	Turbo Ventilador
	Motor (Salida) [W]	97 x 1
	Flujo de Aire (High / Mid / Low) [CFM]	1112/953/848
	Flujo de Aire (High / Mid / Low) [CMM]	31.50/27.00/24.00
	Flujo de Aire (High/Mid/Low) [L/S]	525.00/450.00/400.00
	Presión Estática Externa (Min / Std / Max) [in H2O]	-
	Presión Estática Externa (Min / Std / Max) [mmAq]	-
Conexiones de Tubería	Tubería de Líquido (Φ, mm)	9.52
	Tubería de Líquido (Φ, inch)	3/8"
	Tubería de Gas (Φ, mm)	15.88
	Tubería de Gas (Φ, inch)	5/8"
	Tubería de Drenaje (Φ,mm)	VP25 (OD 32,ID 25)
Cableado en Campo	Cable de fuente e Energía	AWG 14
	Cabe de Comunicación	2 X 16 AWG BLINDADO
Refrigerante	Tipo	R410A
	Método de Control	EEV Incorporada
Sonido	Presión Sonora	44.0/42.0/39.0
	Potencia Sonora	-
Dimensiones Externas (Unidad Interna)	Peso Neto (kg)	24.00
	Peso de Embarque (kg)	29.00
	Dimensiones Netas (LxAxP) (mm)	947 x 365 x 947
	Dimensiones de Embarque (LxAxP) (mm)	990 x 414 x 990
Tamaño de Panel	Modelo de Panel	PC4NUNMUN
	Peso Neto del Panel (kg)	2.70
	Peso de Embarque (kg)	5.30
	Dimensiones Netas (LxAxP) (mm)	1050 x 94 x 1050
	Dimensiones de Embarque (LxAxP) (mm)	1093 x 85 x 1083
Accesorios Adicionales	Bomba de Drenaje	-
	Max. Capacidad de elevación/Desplazamiento	-
	Filtro de Aire	Removable / Lavable



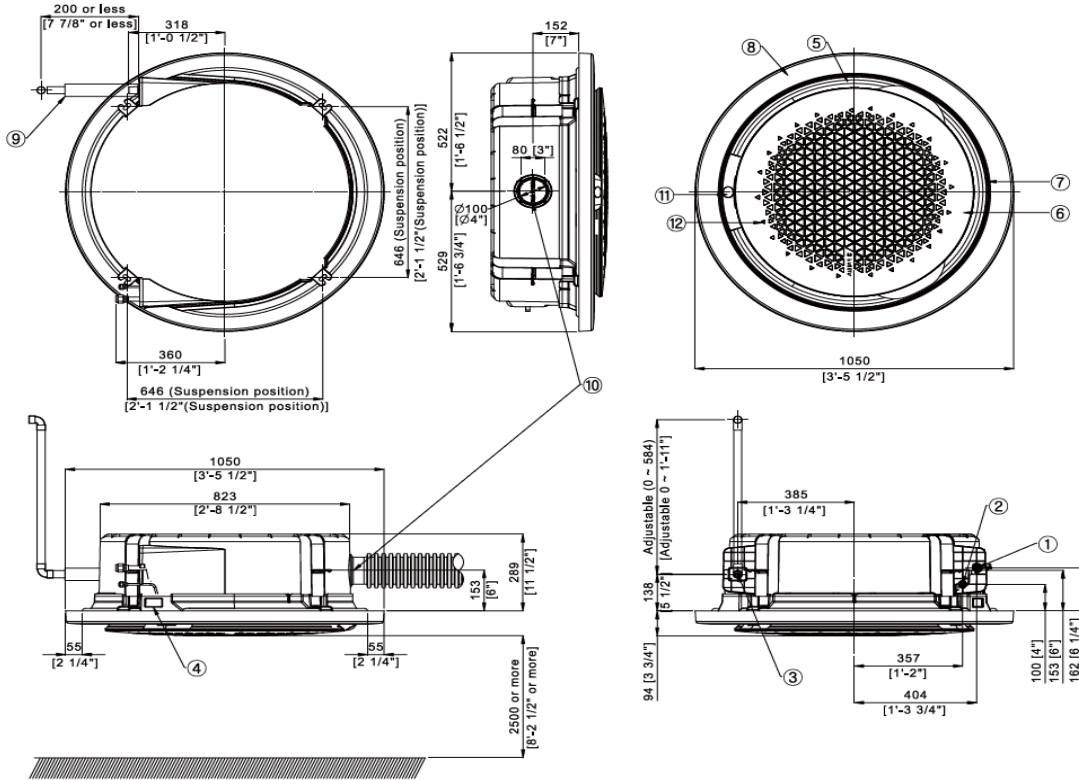
Especificaciones

- The indoor unit shall be compatible con Samsung DVM S y DVM Eco systems (AM\*\*\*\*X\*\*\*\*/\*\*).
- The indoor unit shall be a round ceiling cassette con 360°, even air distribution
- Auto-restart after power loss
- The indoor unit shall have a removable EEPROM that stores system programming information, unit name, y other data
- All indoor unit addressing y option settings shall be done digitally; the indoor unit does not contain rotary dials or setting switches.
- Electro-static, washable, pleated filter as standard (included con fascia panel).
- Bomba de condensador integrada con un máximo de 29" de elevación desde el punto de desfogue, válvula cheque, y switch de flote que deshabilita la unidad mientras se detecta un rebalse.
- Pre perforado para instalar toma de aire Fresco. (con booster fan connection)
- Fascia panel shall have LED indicator lights y an infrared receiver
- The indoor unit shall have two (2) fascia panel types:
  1. Ceiling Type for installation applications where a ceiling textile is present (ex. tile ceiling, gypsum). The Ceiling Type fascia panel shall be square in shape.
  2. Open Type for installation applications where a ceiling textile is not present (ex. open ceiling). The Open Type fascia panel shall be circular in shape.
- The indoor unit shall not have air louvers or blades allowing full airflow conout restriction. Air direction control shall be achieved by creating a low pressure area near air outlet causing discharge air to change direction angle.
- Fixed or auto-swing air direction shall be possible con wireless, touch, or premium wired controller (10° ~ 60° angle)
- Independent air distribution control shall be possible con wireless or premium wired controller (three directions, 10° ~ 60° angle)

Construcción  
The indoor unit shall be have a galvanized steel frame con HIPS chassis y fascia panel certified to UL94 V0.  
Intercambiador de Calor  
The indoor unit Intercambiador de Calor shall be mechanically bonded aluminum fin to copper tube

\* Capacidades nominales de Enfriamiento basadas en: Temperatura de Interior: 80 °F BS, 67°F BH.  
Temperatura Exterior: 95°F BS, 75°F BH.

\* Capacidades nominales de Calefacción basadas en: Temperatura de Interior: 70 °F BS, 60°F BH.  
Temperatura Exterior: 45°F BS, 43°F BH.



**Note**

1. Make sure the spacing between the ceiling and the cassette is no more than 10mm[3/8"].
2. When the conditions exceed 30°C[86°F] and RH 80% in the ceiling or fresh air is inducted into the ceiling, and additional insulation is required (polyethylene foam, thickness 10mm[3/8"] or more)
3. Circular panel code : PC4NUNMAN, PC4NUNMUN (White), PC4NBNMAN, PC4NBNMUN (Black)  
- Weight [lbs] : 5.95 (Net), 11.24 (Shipping) - Dimensions (W x H x D) [inch] : 41.34 x 3.70 x 41.34 (Net), 43.03 x 3.35 x 42.64 (Shipping)
- ※ When installing the circular panel on the ceiling, make sure to install 2 or more inspection holes for the maintenance.  
(For further information, please refer to the installation manual.)
4. The circular panel is by default available in exposed installation.
5. Make inspection holes on the ceiling for easier installation and maintenance, as shown in the following table.  
(The size of an inspection hole must be at least 450 mm x 450 mm.)
6. A suspended ceiling structure can substitute for the inspection holes.

Category	Inspection hole		
	Recessed installation		Exposed installation
	Integrated	Suspended	
Square panel	1 ea		
Circular panel	2 ea		

1	Refrigerant gas pipe	7	Suction rim for Booster fan
2	Refrigerant liquid pipe	8	Decoration cover
3	Condensate drain	9	Drain hose
4	Power & Comm. wiring conduits	10	Fresh air intake knock out hole
5	Air discharge opening	11	Display window

