

SWAN 1010 TOUCH-FREE ELECTRONIC LAVATORY FAUCET

SPECIFICATIONS

Touch-free electronic faucet for deck-mounted installations. Activated by infrared sensor. For cold or premixed water. Filters included. Chrome plated body, other finishes available. Battery version includes a low battery indicator. Latching solenoid valve is located above deck inside the product for added vandal protection. Adjustable setting by remote control: sensor range, security time, delay in, delay out, on-off and reset to factory settings. 24 hour mandatory hygiene flush available upon request.

OPERATION

Touch-free electronic faucet. The faucet is automatically activated when the users place their hands in the sensor range and stops when the users remove their hands.

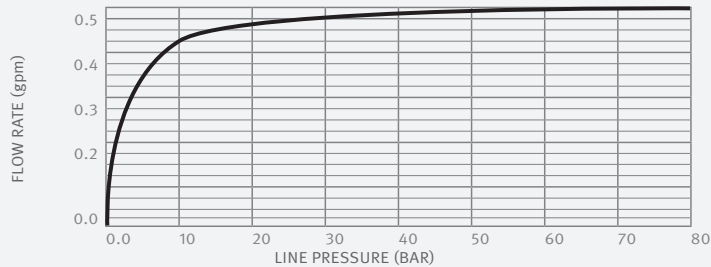
APPLICATION

Deck-mounted faucets. Combining an elegant minimalist design with anti-vandal features. Easy installation. Long lasting even in the harshest installation sites. Helps washrooms stay clean and saves water. Prevents cross contamination. Ideal for stadiums, train and bus stations and highway rest stops.

PRODUCT AT A GLANCE

Installation	Deck-mounted
Power Supply	• 9V battery • 9V transformer
Operating pressure	0.5-8.0 bar / 7.0-116.0 PSI
Water supply	Cold or premixed water
Water flow	6 LPM / 1.58 GPM - SSR PCA stream
Water Saving Options	4 LPM / 1 GPM ; 3 LPM / 0.8 GPM 1.89 LPM / 0.5 GPM ; 1.3 LPM 0.35 GPM - PCA spray
Water temperature	70°C Maximum
Security Time	Auto shutoff after 90 seconds. adjustable by remote control

FLOW RATE vs PRESSURE

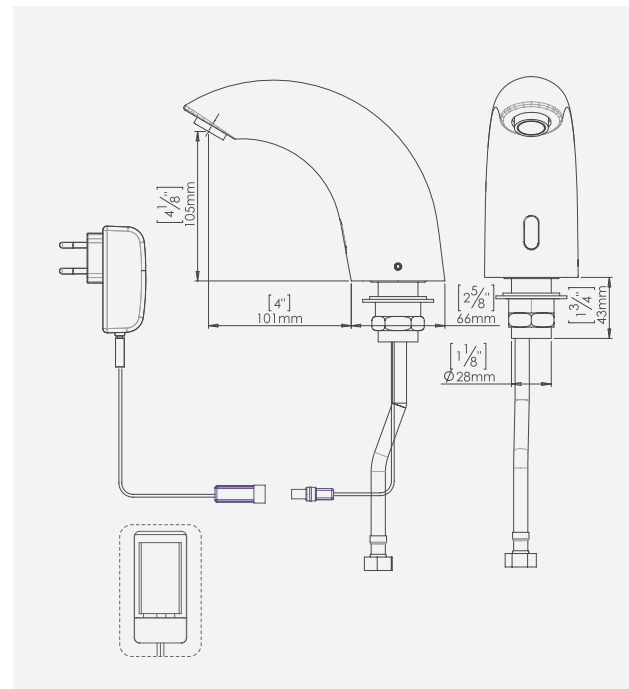


ORDERING INFORMATION

MODEL	CODE	POWER	ADDITIONAL FEATURES
SWAN 1010	250220	9V internal battery	AB 1953 Lead Free
SWAN 1010 B	250310	9V battery	
SWAN 1010 E	250420	9V transformer	

OPTIONS

OPTION	CODE
Remote control	07100005
Matching battery-powered soap dispenser	250920
Matching transformer-powered soap dispenser combination	250910



ADVANTAGES



LEED RATING



OPTIONAL HYGIENE FLUSH



SOAP AND WATER



GERM FREE



ADJUSTABLE SETTINGS



EASY TO INSTALL



ADA DESIGNED

APPROVALS



777 Passaic Avenue
Clifton NJ, 07012
USA: sternusa@sternfaucets.com
International: info@sternfaucets.com
Toll Free: 1-800-4364410

www.sternfaucets.com



IAPMO RESEARCH AND TESTING, INC.

CERTIFICATE OF LISTING

-Rev. 1/2/2020-

Void After: July 2024

Product: Plumbing Fixture Fittings

File No. 5028

Issued To: Y. Stern Engineering (1989) Ltd.

National Plumbing Code of Canada
International Plumbing Code (IPC®)

Products are in compliance with the following standard(s):

ASME A112.18.1-2018/CSA B125.1-18



IAPMO RESEARCH AND TESTING, INC.

CERTIFICATE OF LISTING

This certificate is not evidence of current listing. To verify listing status, visit the IAPMO R&T Product Listing Directory at pld.iapmo.org

-Rev. 1/2/2020-

Void After: July 2024

Product: Plumbing Fixture Fittings

File No. 5028

Issued To: Y. Stern Engineering (1989) Ltd.

MODELS:

Deck-mounted Faucets

<u>Model No.</u>	<u>Description</u>
113720 Foot Washfree 3000	Touch Activated Electronic Sensor Faucet for foot wash w/ 9V internal battery
113730 Foot Washfree	Touch Activated Electronic Sensor Faucet for foot wash w/ 9V internal battery
225801 Green 1000 AB1953	Electronic Sensor Faucet with Mixer and 9V Internal Battery
225811 Green Time 1000 AB1953	Touch Activated Electronic Faucet with Mixer and 9V Internal Battery
225821 Green 1000E AB1953	Electronic Sensor Faucet with Mixer and 9V Transformer
225831 Green Time 1000E AB1953	Touch Activated Electronic Faucet with Mixer and 9V Transformer
225836 Green Time 1000 BRE AB1953	Touch Activated Electronic Faucet with Mixer, 9V Transformer and Light Illumination
225871 Green 1000B AB1953	Electronic Sensor Faucet with Mixer and 9V Battery
225881 Green Time 1000B AB1953	Touch Activated Electronic Faucet with Mixer and 9V Battery
225891 Green 1000 BRE AB1953	Electronic Sensor Faucet with Mixer, 9V Transformer, and Light Illumination
225901 Green AB1953	Electronic Sensor Faucet with 9V Internal Battery
225911 Green Time AB1953	Touch Activated Electronic Faucet with 9V Internal Battery
225921 Green BRE AB1953	Electronic Sensor Faucet with 9V Transformer and Light Illumination
225926 Green Time BRE AB1953	Touch Activated Electronic Faucet with 9V Transformer and Light Illumination
225941 Green E AB1953	Electronic Sensor Faucet with 9V Transformer
225951 Green B AB1953	Electronic Sensor Faucet with 9V Battery
225971 Green Time E AB1953	Touch Activated Electronic Faucet with 9V Transformer
225981 Green Time B AB1953	Touch Activated Electronic Faucet with 9V Battery
237800 Extreme CS E	Wall mount Electronic Faucet with external 9V transformer
237801 Extreme CS B	Wall mount Electronic Faucet with external 9 V Battery
237800-316 Extreme CS E AIS1316	Wall mount Electronic Faucet with external 9V transformer
237801-316 Extreme CS B AIS1316	Wall mount Electronic Faucet with external 9 V Battery
237802 Extreme CS DPB	Wall mount Electronic Faucet with external 9 V Battery
237803 Extreme CS DPE	Wall mount Electronic Faucet with external 9V transformer
237802-316 Extreme CS DPB AIS1316	Wall mount Electronic Faucet with external 9 V Battery
237803-316 Extreme CS DPE AIS1316	Wall mount Electronic Faucet with external 9V transformer
246050 EASY 1000B	Electronic Sensor Faucet with Mixer and 9V Battery Box



IAPMO RESEARCH AND TESTING, INC.

CERTIFICATE OF LISTING

This certificate is not evidence of current listing. To verify listing status, visit the IAPMO R&T Product Listing Directory at pld.iapmo.org

-Rev. 1/2/2020-

Void After: July 2024

Product: Plumbing Fixture Fittings

File No. 5028

Issued To: Y. Stern Engineering (1989) Ltd.

246060 EASY 1000E	Electronic Sensor Faucet with Mixer and 9V Transformer
250220 Swan 1010 AB1953	Electronic Sensor Faucet with Internal 9V Battery
250310 Swan 1010B AB1953	Electronic Sensor Faucet with External 9V Battery Box
250420 Swan 1010E AB1953	Electronic Sensor Faucet with External 9V Transformer
252210 Swan 1000 AB1953	Electronic Sensor Faucet with Mixer and Internal 9V Battery
252310 Swan 1000B AB1953	Electronic Sensor Faucet with Mixer and External 9V Battery Box
252420 Swan 1000E AB1953	Electronic Sensor Faucet with Mixer and External 9V Transformer
293100 Classic CS B	Deck mount Electronic Sensor Faucet with External 9V Battery
293200 Classic CS E	Deck mount Electronic Sensor Faucet with External 9V Transformer

<u>Model No.</u>	<u>Description</u>
233000 Csaba B	Electronic Lavatory Faucet
233010 Csaba E	Electronic Lavatory Faucet
236931 Trendy DTB	Electronic Thermostatic Lavatory Faucet
237340 Extreme HLB LF	Electronic Sensor Faucet with 9V Internal Battery
237341 Extreme HLE LF	Electronic Sensor Faucet with 9V Transformer
239001 Trendy B AB1953	Electronic Sensor Lavatory Faucet with 9V Battery
239021 Trendy Touch B AB1953	Touch Activated Electronic Lavatory Faucet with 9V Battery
239025 Trendy Touch LB AB1953	Touch Activated Electronic Lavatory Faucet with 9V Battery
239041 Trendy Touch Plus B AB1953	Touch Activated Electronic Faucet with 9V Battery, Tall Version
239043 Trendy Touch Plus E AB1953	Touch Activated Electronic Lavatory Faucet with 9V Transformer, Tall Version
239045 Trendy Touch Plus LB AB1953	Touch Activated Electronic Lavatory Faucet with 9V Battery, Tall Version
239046 Trendy Touch Plus LE AB1953	Touch Activated Electronic Lavatory Faucet with 9V Transformer, Tall Version
239051 Trendy Plus B AB1953	Electronic Sensor Lavatory Faucet with 9V Battery, Tall Version
239061 Trendy Plus LB AB1953	Electronic Sensor Lavatory Faucet with 9V Battery, Tall Version
239101 Trendy E AB1953	Electronic Sensor Lavatory Faucet with 9V Transformer
239121 Trendy Touch E AB1953	Touch Activated Electronic Lavatory Faucet with 9V Transformer
239125 Trendy Touch LE AB1953	Touch Activated Electronic Lavatory Faucet with 9V Transformer
239151 Trendy Plus E AB1953	Electronic Sensor Lavatory Faucet with 9V Transformer, Tall Version
239161 Trendy Plus LE AB1953	Electronic Sensor Lavatory Faucet with 9V Transformer, Tall Version
239201 Trendy 1000B AB1953	Electronic Sensor Lavatory Faucet with Mixer and 9V Battery
239223 Trendy Touch 1000B AB1953	Touch Activated Electronic Lavatory Faucet with 9V Battery



IAPMO RESEARCH AND TESTING, INC.

CERTIFICATE OF LISTING

This certificate is not evidence of current listing. To verify listing status, visit the IAPMO R&T Product Listing Directory at pld.iapmo.org

-Rev. 1/2/2020-

Void After: July 2024

Product: Plumbing Fixture Fittings

File No. 5028

Issued To: Y. Stern Engineering (1989) Ltd.

239225 Trendy Touch 1000 LB AB1953	Touch Activated Electronic Lavatory Faucet with 9V Battery
239231 Trendy Touch 1000 Plus B AB1953	Touch Activated Electronic Lavatory Faucet with 9V Battery, Tall Version
239235 Trendy Touch 1000 Plus E AB1953	Touch Activated Electronic Lavatory Faucet with 9V Transformer, Tall Version
239240 Trendy Touch 1000 Plus LB AB1953	Touch Activated Electronic Lavatory Faucet with 9V Battery, Tall Version
239245 Trendy Touch 1000 Plus LE AB1953	Touch Activated Electronic Lavatory Faucet with 9V Transformer, Tall Version
239251 Trendy 1000 Plus B AB1953	Electronic Sensor Lavatory Faucet with Mixer and 9V Battery, Tall Version
239261 Trendy 1000 Plus LB AB1953	Electronic Sensor Lavatory Faucet with Mixer and 9V Battery, Tall Version
239301 Trendy 1000E AB1953	Electronic Sensor Lavatory Faucet with Mixer and 9V Transformer
239321 Trendy Touch 1000E AB1953	Touch Activated Electronic Lavatory Faucet with 9V Transformer
239325 Trendy Touch 1000 LE AB1953	Touch Activated Electronic Lavatory Faucet with 9V Transformer
239351 Trendy 1000 Plus E AB1953	Electronic Sensor Lavatory Faucet with Mixer and 9V Transformer, Tall Version
239361 Trendy 1000 Plus LE AB1953	Electronic Sensor Lavatory Faucet with Mixer and 9V Transformer, Tall Version
239401 Trendy LB AB1953	Electronic Sensor Lavatory Faucet with 9V Battery
239501 Trendy LE AB1953	Electronic Sensor Lavatory Faucet with 9V Transformer
239601 Trendy 1000 LB AB1953	Electronic Sensor Lavatory Faucet with Mixer and 9V Battery
239701 Trendy 1000 LE AB1953	Electronic Sensor Lavatory Faucet with Mixer and 9V Transformer
280310 BTM B	Behind mirror Electronic Sensor Lavatory Faucet with battery
280300 BTM E	Behind mirror Electronic Sensor Lavatory Faucet with 9V transformer
Classic	Single inlet w/ 9V internal battery
Classic 1000	Double inlet w/ 9V internal battery
Classic 1000 AB1953	Electronic Sensor Faucet with Mixer and 9V Battery
Classic 1000 B	Double inlet w/ 9V external battery
Classic 1000 DEMD AB1953	Electronic Sensor Faucet with Mixer and 9V Battery
Classic 1000 E	Double inlet w/ 9V transformer
Classic AB1953	Electronic Sensor Faucet with 9V Battery
Classic B	Single inlet w/ 9V external battery
Classic DEMD-112 LF	Electronic Sensor Faucet with Mixer and 9V Battery
Classic E	Single inlet w/ 9V transformer
Compact B	With 3/8" O.D. brass tube inlet and 9V external battery
Compact E	Identical to Compact B, except w/ 9V transformer
Condor	Electronic Sensor Faucet with Cover Plate and 9V Internal Battery



IAPMO RESEARCH AND TESTING, INC.

CERTIFICATE OF LISTING

This certificate is not evidence of current listing. To verify listing status, visit the IAPMO R&T Product Listing Directory at pld.iapmo.org

-Rev. 1/2/2020-

Void After: July 2024

Product: Plumbing Fixture Fittings

File No. 5028

Issued To: Y. Stern Engineering (1989) Ltd.

Condor 1010	Electronic Sensor Faucet with 9V Internal Battery
Dolphin 1000 FB	Dual Inlet Electronic Sensor Faucet with 9V Battery
Dolphin 1000 FE	Dual Inlet Electronic Inlet Sensor Faucet with 9V
Transformer	
Dolphin FB	Electronic Sensor Faucet with 9V Battery
Dolphin FE	Electronic Sensor Faucet with 9V Transformer
Dolphin GB	Identical to Dolphin SB, except w/ taller spout
Dolphin GE	Identical to Dolphin SE, except w/ taller spout
Dolphin GNE	Electronic Sensor Faucet with 9V Battery
Dolphin SB	With 3/8" O.D. brass tube inlet and 9V external battery
Dolphin SE	Identical to Dolphin SB, except w/ 9V transformer
Easy B	With 3/8" O.D. brass tube inlet and 9V external battery
Easy E	Identical to Easy B, except w/ 9V transformer
Elite 1000 B	Double inlet w/ 9V external battery
Elite 1000 E	Double inlet w/ 9V transformer
Elite 1000B Tech Mixer AB1953	Electronic Sensor Faucet with Mixer with 9V Battery
Elite B	Single inlet w/ 9V external battery
Elite DEMD-312 LF	Electronic Sensor Faucet with Mixer with 9V Battery
Elite E	Single inlet w/ 9V transformer
Elite Plus LB AB1953	Electronic Sensor Faucet with 9V Battery
Ever Battery	230010
Ever Battery	AISI316 230030
Ever Mains	230000
Ever Mains	AISI316 230020
Extreme 1000 B	Double inlet w/ 9V external battery
Extreme 1000 E	Double inlet w/ 9V transformer
Extreme B	Single inlet w/ 9V external battery
Extreme E	Single inlet w/ 9V transformer
GN DEMD-211 AB1953	Electronic Sensor Faucet with Mixer and 9V Battery
GN DEMD-212 LF	Electronic Sensor Faucet with Mixer and 9V Battery
Lotus 1010 B	Single inlet w/ 9V external battery
Lotus 1010 E	Single inlet w/ 9V transformer
Lotus 1010 FB	Identical to Lotus 1010 B, except w/flat cap
Lotus 1010 FE	Identical to Lotus 1010 E, except w/flat cap
Perfect Time B	Single inlet w/ 9V external battery
Perfect Time E	Single inlet w/ 9V external battery
Sensor 1000 B	Double inlet w/ 9V external battery
Sensor 1000 E	Double inlet w/ 9V transformer
Sensor B	Single inlet w/ 9V external battery
Sensor E	Single inlet w/ 9V transformer
Smart 1000 B	Double inlet w/ 9V external battery
Smart 1000 E	Double inlet w/ 9V transformer
Smart B	Single inlet w/ 9V external battery
Smart E	Single inlet w/ 9V transformer
Swan 1000	Double inlet w/ 9V internal battery
Swan 1000 B	Double inlet w/ 9V external battery
Swan 1000 BM	Identical to Swan 1000 B, except w/override handle for manual operation



IAPMO RESEARCH AND TESTING, INC.

CERTIFICATE OF LISTING

This certificate is not evidence of current listing. To verify listing status, visit the IAPMO R&T Product Listing Directory at pld.iapmo.org

-Rev. 1/2/2020-

Void After: July 2024

Product: Plumbing Fixture Fittings

File No. 5028

Issued To: Y. Stern Engineering (1989) Ltd.

Swan 1000 E	Double inlet w/ 9V transformer
Swan 1000 EM	Identical to Swan 1000 E, except w/override handle for manual operation
Swan 1010	Single inlet w/ 9V internal battery
Swan 1010 B	Single inlet w/ 9V external battery
Swan 1010 E	Single inlet w/ 9V transformer
Touch B	Single inlet w/ 9V external battery
Touch B DEMD	Single inlet w/ 9V external battery
Touch E	Single inlet w/ 9V transformer
Trendy 1000 B	Double inlet w/ 9V external battery
Trendy 1000 E	Double inlet w/ 9V transformer
Trendy 1000 TB AB1953	Electronic Sensor Faucet with 9V Battery
Trendy 1000 TE AB1953	Electronic Sensor Faucet with 9V Battery
Trendy B	Single inlet w/ 9V external battery
Trendy E	Single inlet w/ 9V transformer

Wall-mounted Faucets

<u>Model No.</u>	<u>Description</u>
Apollo Free battery	Exposed w/single 1/2" NPSM male inlet and 9V internal
Apollo 1000 T	Exposed w/1/2" NPSM male inlets, thermostatic mixer, and 9V internal battery
Apollo 1000 TE	Identical to Apollo 1000 T, except w/ 9V transformer
Apollo 1031	Concealed w/single 1/2" NPSM male inlet and 9V internal battery
Apollo 1031 E	Identical to Apollo 1031, except w/ 9V transformer
Apollo 2030	With 1/2" NPT female inlet and 9V internal battery
Apollo 2030 E	Identical to Apollo 2030, except w/ 9V transformer
340600 Apollo ALB	Wall Mounted Electronic Sensor Faucet with 9V Battery Box
340700 Apollo ALE	Wall Mounted Electronic Sensor Faucet with 9V Transformer
314535 Apollo Medical FB LF	Electronic Thermostatic Lavatory Faucet with 9V Internal Battery
314545 Apollo Medical FE LF	Electronic Thermostatic Lavatory Faucet with 9V Transformer
D28 Dual Power B Battery	Wall Mounted Electronic Sensor Faucet with 9V Internal
D28 Dual Power E	Wall Mounted Electronic Sensor Faucet with 9V Transformer
D28 LE	Wall Mounted Electronic Sensor Faucet and 9V Transformer
D28 Prox B	Wall Mounted Electronic Sensor Faucet and 9V Battery Box
D28 Prox E	Wall Mounted Electronic Sensor Faucet and 9V Transformer
340300 Extreme WMB	Wall Mounted Electronic Sensor Faucet with 9V Battery Box
340210 Extreme WM BR E and	Wall Mounted Electronic Sensor Faucet with 9V Transformer
340200 Extreme WME	Light Illumination
340400 Extreme WM LB	Wall Mounted Electronic Sensor Faucet with 9V Transformer
340500 Extreme WM LE	Wall Mounted Electronic Sensor Faucet with 9V Battery Box
	Wall Mounted Electronic Sensor Faucet with 9V Transformer



IAPMO RESEARCH AND TESTING, INC.

CERTIFICATE OF LISTING

This certificate is not evidence of current listing. To verify listing status, visit the IAPMO R&T Product Listing Directory at pld.iapmo.org

-Rev. 1/2/2020-

Void After: July 2024

Product: Plumbing Fixture Fittings

File No. 5028

Issued To: Y. Stern Engineering (1989) Ltd.

225865 Malmo	Wall Mounted Electronic Sensor Lavatory Faucet with 9V Internal Battery
Malmo 1000 225860	Wall mounted electronic lavatory faucet with Mixer with 9V internal battery
351315 Quadrat 2030B AB1953	Wall Mounted Electronic Sensor Faucet with 9V Battery
351415 Quadrat 2030E AB1953	Wall Mounted Electronic Sensor Faucet with 9V Transformer
351325 Quadrat 2030 LB AB1953	Wall Mounted Electronic Sensor Faucet with 9V Battery
351425 Quadrat 2030 LE AB1953	Wall Mounted Electronic Sensor Faucet with 9V Transformer
351110 Quadrat B AB1953	Wall Mounted Electronic Sensor Faucet with 9V Battery
351210 Quadrat E AB1953	Wall Mounted Electronic Sensor Faucet with 9V Transformer
351115 Quadrat LB AB1953	Wall Mounted Electronic Sensor Faucet with 9V Battery
351215 Quadrat LE AB1953	Wall Mounted Electronic Sensor Faucet with 9V Transformer
Tubular 1000 B Box AB1953 Battery	Wall Mounted Electronic Sensor Faucet with Mixer and 9V
Tubular 1000 E Box AB1953	Wall Mounted Electronic Sensor Faucet with Mixer and 9V Transformer
Tubular 1000 LB AB1953 Battery	Wall Mounted Electronic Sensor Faucet with Mixer and 9V
Tubular 1000 LB Box AB1953 Battery	Wall Mounted Electronic Sensor Faucet with Mixer and 9V
Tubular 1000 LE Box AB1953	Wall Mounted Electronic Sensor Faucet with Mixer and 9V Transformer
Tubular 1000B AB1953	Wall Mounted Electronic Sensor Faucet with Mixer and 9V Battery Box
Tubular 1000E AB1953	Wall Mounted Electronic Sensor Faucet with Mixer and 9V Transformer
Tubular 1000LE AB1953	Wall Mounted Electronic Sensor Faucet with Mixer and 9V Transformer
Tubular 2030	With 1/2" NPT female inlet and 9V internal battery
Tubular 2030 E	Identical to Tubular 2030, except w/ 9V transformer
Tubular B	With 3/8" O.D. brass tube inlet and 9V internal battery
Tubular CB	Identical to Tubular B, except w/ spout on the bottom
Tubular CE	Identical to Tubular E, except w/ spout on the bottom
Tubular E	With 3/8" O.D. brass tube inlet and 9V transformer
Tubular Touch 2030	B With 1/2" NPSM female inlet and 9v external battery
Tubular Touch 2030	E Identical to Tubular Touch 2030, except w/ 9v transformer
Tubular Touch B	Single Inlet Wall-Mounted w/ 9V External Battery
Tubular Touch E	Single inlet wall mounted w/ 9V transformer

Faucets come with different flow rates as designated below:

MODEL NO/1 = with 1.0gpm aerator
MODEL NO/2 = with 1.5 gpm aerator
MODEL NO/3 = with 2.2 gpm aerator
MODEL NO/4 = with 1.5 gpm laminar aerator

Cool B



IAPMO RESEARCH AND TESTING, INC. CERTIFICATE OF LISTING

This certificate is not evidence of current listing. To verify listing status, visit the IAPMO R&T Product Listing Directory at pld.iapmo.org

-Rev. 1/2/2020-

Void After: July 2024

Product: Plumbing Fixture Fittings

File No. 5028

Issued To: Y. Stern Engineering (1989) Ltd.

Cool E
Cool BRE
Cool GB
Cool GE
Cool G BRE
D28
D28 E

Solenoid Valve Cartridge

<u>Model No.</u>	<u>Description</u>
07230017	9 VDC Acetal Solenoid Valve Cartridge with Diaphragm LSA9WPC
07500065	9 VDC Interoperable Solenoid Valve Cartridge LS9V12WWPC1

Suffix Notation (Finish Options)

-Models without suffix notation - Standard Chrome Plated Product
-Models followed by /BN - Brushed Nickel Plated Product



IAPMO RESEARCH AND TESTING, INC. CERTIFICATE OF LISTING

This certificate is not evidence of current listing. To verify listing status, visit the IAPMO R&T Product Listing Directory at pld.iapmo.org

-Rev. 1/2/2020-

Void After: July 2024

Product: Plumbing Fixture Fittings

File No. 5028

Issued To: Y. Stern Engineering (1989) Ltd.

ADDITIONAL COMPANY INFO:

Delany Products

<u>Model No.</u>	<u>Description</u>
SF1591-B	Single inlet w/ 9V external battery
SF1591-E	Single inlet w/ 9V transformer
SF1593	Electronic Sensor Faucet with 9V Internal Battery
SF1594-B	Electronic Sensor Faucet with 9V Battery
SF1594-E	Electronic Sensor Faucet with 9V Transformer
SF1597-B	Electronic Sensor Faucet with Mixer and 9V Battery Box
SF1597-E	Electronic Sensor Faucet with Mixer and 9V Transformer
SF1540-B	Electronic Sensor Faucet with 9V Battery
SF1540-E	Electronic Sensor Faucet with 9V Transformer
SF1596-B	With 3/8" O.D. brass tube inlet and 9V external battery
SF1596-E	Identical to Easy B, except w/ 9V transformer

Zurn Industries, LLC.

<u>Model No.</u>	<u>Description</u>
81421004	Z6918-XL Single inlet, powered by internal battery
81422004	Z6918-ADM-XL Two inlets, powered by internal battery