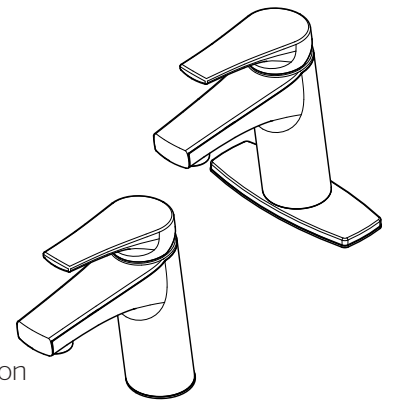


### Single Control Lavatory Faucet

- LF-042-FERB Finish(B)
- LF-042-FERC Finish(C)
- LF-042-FERGS Finish(GS)



## Specifications

- 1 or 3-Hole Installation
- Pforever Seal™

### Features

- 1.2 GPM Flow Rate
- 1 or 3-Hole Installation
- Optional Deckplate Included
- Push & Seal™ Drain Included
- Mounting Hardware Included
- Spot Defense™ Finish Resists Spots and Fingerprints
- TiteSeal™ Deckplate
- Pforever Seal™
- Ceramic Disc Valve
- Limited Lifetime Warranty



### Code Compliance

Pfister products are designed and manufactured in compliance with the following standards and codes:

- IAPMO Certified to ASME A112.18.1/CSA B125.1
- EPA WaterSense Certified
- NSF/ANSI/CAN61:Q≤1
- CEC Certified/CALGreen compliant
- ADA Compliant - ANSI A117.1 (Lever Handle Only)



## Dimensions

